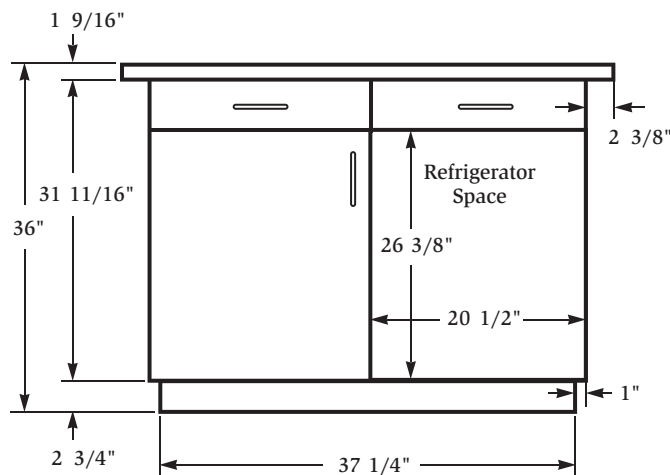
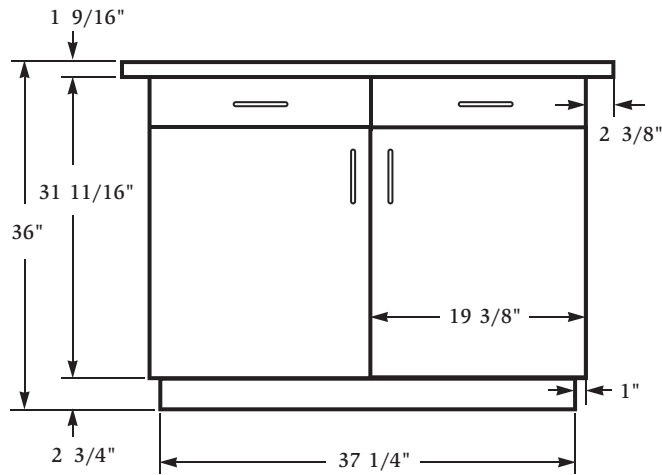
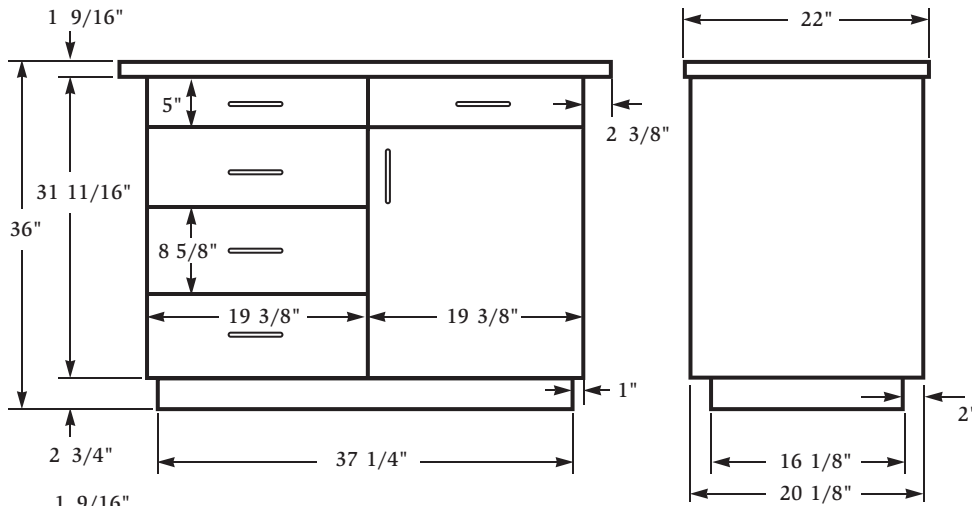
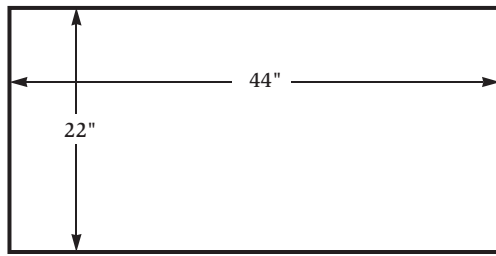


# Exam Cabinetry Specifications

Note: All dimensions are  $\pm 1/8$ "

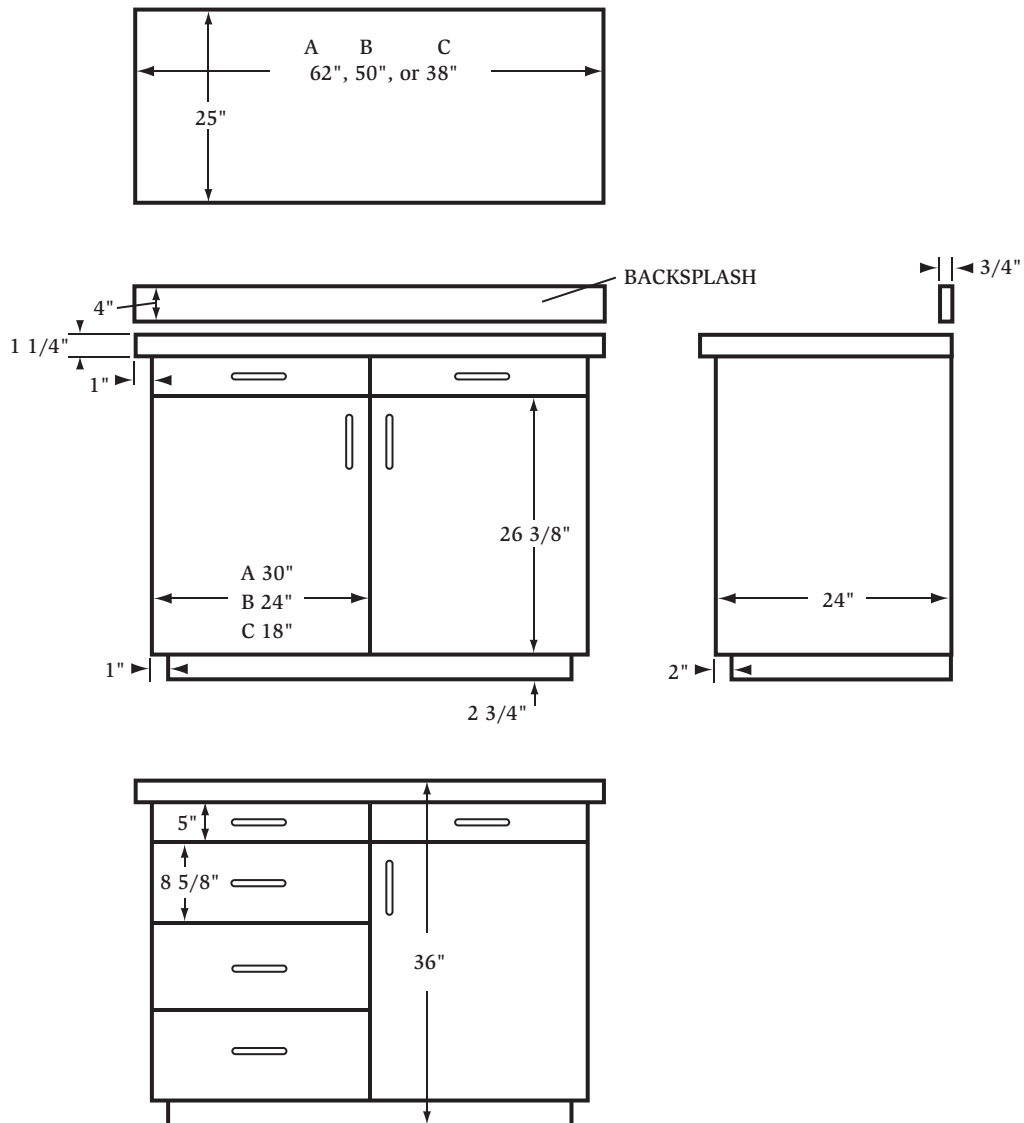


1-800-299-9525

fax 417-358-4716 • [www.vssi.com](http://www.vssi.com) • e-mail [vssi@vssi.com](mailto:vssi@vssi.com)

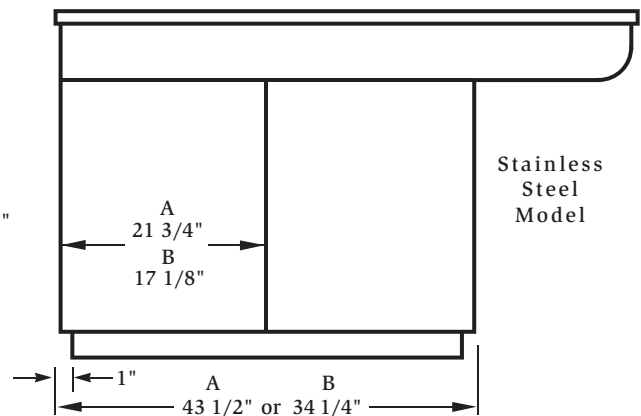
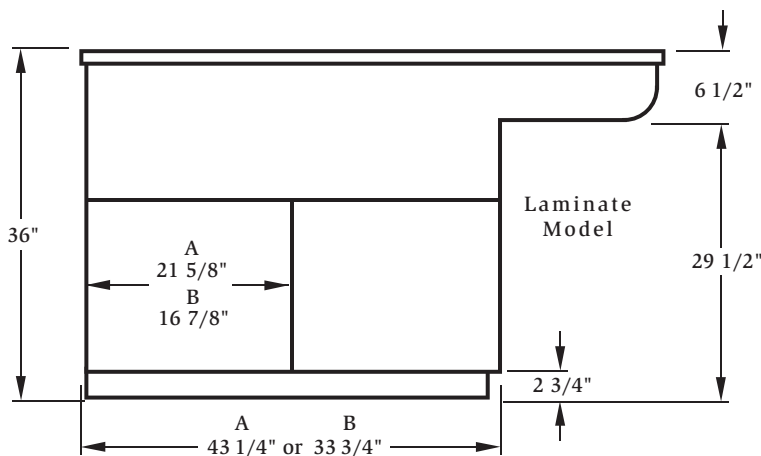
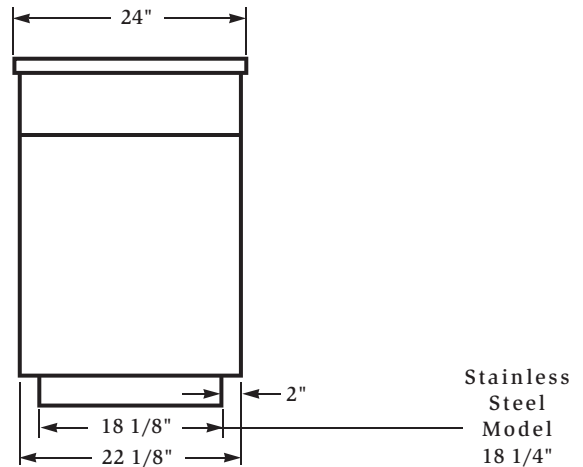
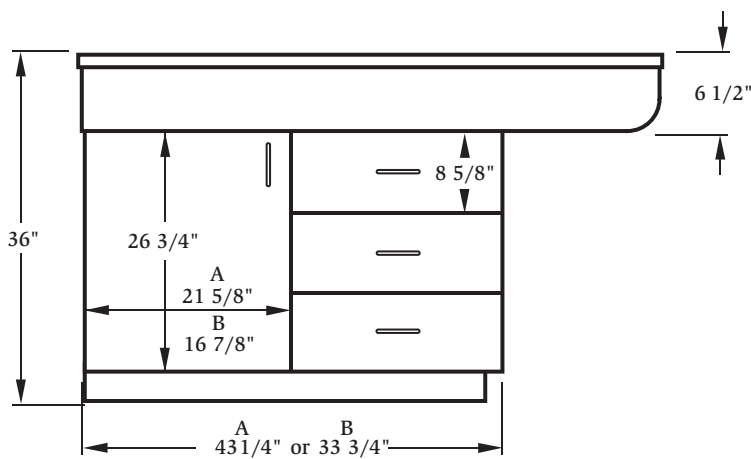
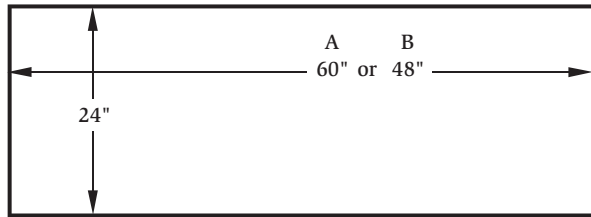
# Base Cabinetry Specifications

Note: All dimensions are  $\pm 1/8$ "



# Cabinetry Specifications

Note: All dimensions are  $\pm 1/8"$



1-800-299-9525

fax 417-358-4716 • www.vssi.com • e-mail vssi@vssi.com

# Cabinetry Specifications

Note: All dimensions are  $\pm 1/8"$

